

Insulating Nuts for CF8 Fuse

RoHS



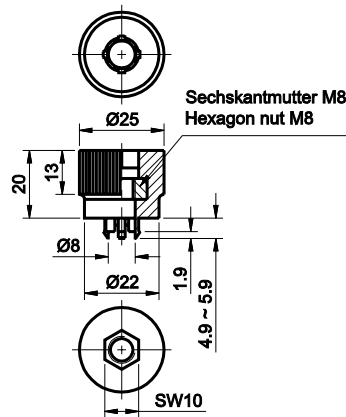
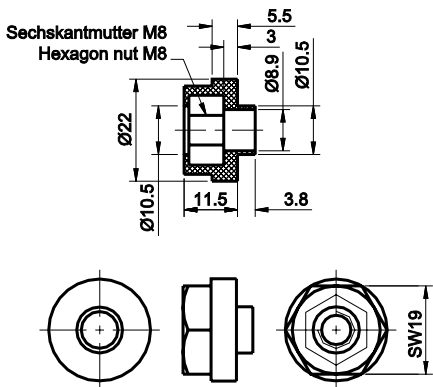
Specifications

Material: Thermoplastic, Duroplastic
Packaging unit: Pos.1 = 250 pieces
 Pos.2 + 3 = 100 pieces

Insulating nuts for CF8 Fuse links.

Isoliermuttern für CF8-Sicherungen.

Dimensions in mm / Maße in mm



Part Number Artikel-Nr.	Description Beschreibung	Contact Temperature Kontakttemperatur
255.0808.0001	Insulating nut (Duroplastic)	max. 300 A (23°C+5°C)
255.0899.4001	Insulating nut with locking hook 4.9mm (Thermoplastic) (Red)	max. 150 A (23°C+5°C)
255.0899.5001	Insulating nut with locking hook 5.9mm (Thermoplastic) (Black)	max. 150 A (23°C+5°C)

Corresponding fuse links see Section "Bolt-down Fuses."